

System No. SP146

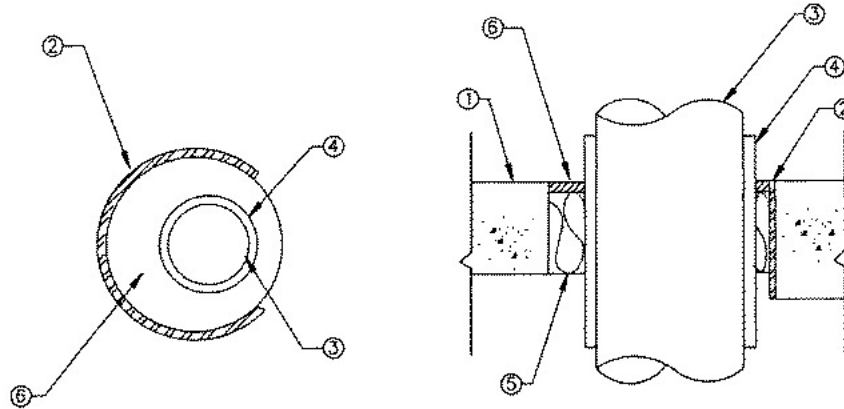
March 06, 2003

(For Horizontal or Vertical Separations)

F Rating - 1-1/2 h

FT, FH and FTH Ratings - 0 h

(ULC)



1. **Floor or Wall** — Min depth or thickness as necessary for required grade of fire separation but not less than 114 mm. Normal-density ($2400 \pm 50 \text{ kg/m}^3$) concrete floor or wall, or nom 200 mm concrete block wall. Max size of circular opening 350 mm diam.
For opening in concrete block wall, concrete or mortar shall be used to create a solid surround to the opening.
2. **Steel Sleeve** — (optional) — 350 mm OD (max), 9.5 mm thick (min) wall thickness steel pipe, cast in place in concrete floor. Ends of sleeve to be flush with top and bottom of concrete floor.
3. **Steel Pipe** — Max 220 mm OD, min 8.25 mm wall thickness, reliably supported above the opening. Distance between pipe and perimeter of opening to be no greater than 100 mm and no less than 13 mm.
4. **Pipe Insulation** — Pipe to be wrapped with min 25 mm thick ULC labelled mineral wool pipe insulation (Guide No. 40 U8.15.13). No pipe insulation joints to be located closer than 50 mm to concrete floor surfaces.
- 5A. **Firestop System Components** — (Guide No. 40 U19.13). Type "RXL-Safe" mineral wool insulation compressed into opening with grain of insulation perpendicular to plane of floor. Min depth 89 mm and compressed at least 25% with top surface of insulation located 6.4 mm below slab surface.

ROXUL INC

- 5B. **Batts and Blankets** — ULC labelled mineral wool insulation with min 48 kg/m^3 density compressed into opening with grain of insulation perpendicular to plane of floor or wall. Min depth 89 mm. Material to be compressed at least 25%. Top surface of insulation to be located 13 mm below floor slab surface or recessed 13 mm from wall surfaces.
6. **Firestop System Components** — (Guide No. 40 U19.13).

Type "Fyre-Sil" sealant applied over insulation (Item 5) to a min depth of 13 mm. Sealant to be applied to both sides of the system for vertical separations flush with the surfaces of slab.

For horizontal separations only, Type "Fyre-Sil S.L." sealant applied over insulation (Item 5) to a min depth of 13 mm flush with top surface of floor slab

TREMCO LTD



Reprinted from the Online Certifications Directory with permission from Underwriters Laboratories of Canada LTD.
Copyright © 2008 Underwriters Laboratories of Canada LTD ®