

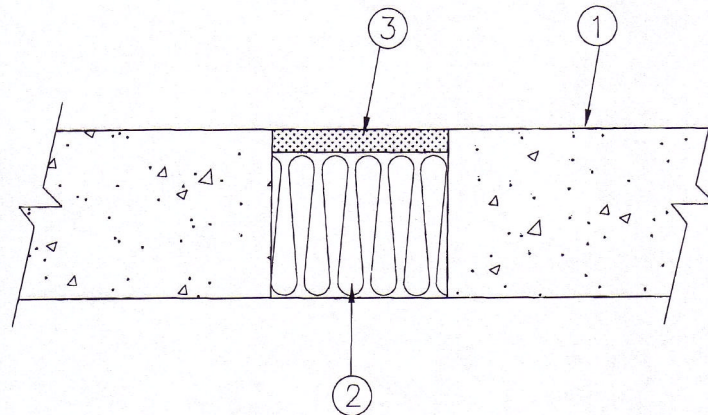
## System No. JF53

February 02, 2004

(For Horizontal or Vertical Separations)

F Rating - 2 h

FT, FH and FTH Ratings - 0 h  
(ULC)



1. **Floor or Wall** - Minimum depth or thickness as necessary for required grade of fire separation but not less than 114 mm. Normal-density ( $2400 \pm 50 \text{ kg/m}^3$ ) concrete. Maximum width of opening 216 mm. Sides of opening may be primed with "Fyre-Sil" Epoxy Primer prior to installation of insulation (Item 2).
2. **Batts and Blankets** - Mineral wool insulation with minimum  $48 \text{ kg/m}^3$  density to be compressed into opening with grain of insulation perpendicular to plane of floor or wall. Minimum depth 89 mm. Material to be compressed at least 25%. Top surface of insulation to be located 6.4 mm below floor slab surface or recessed 6.4 mm from wall surfaces.
3. **Firestop System Components** - XHJZC (Guide No. 40 U19.13).
  - A. Type "Fyre Sil" sealant applied over insulation (Item 2) to a minimum depth of 6.4 mm flush with top surface of floor slab. Sealant to be applied to both sides of system for vertical separations flush with the surfaces of slab.
  - B. For horizontal separation only, Type "Fyre Sil SL" sealant applied over insulation (Item 2) to a minimum depth of 6.4 mm flush with top surface of floor slab.

TREMCO LTD.



Reprinted from the Online Certifications Directory with permission from Underwriters Laboratories of Canada LTD.  
Copyright © 2008 Underwriters Laboratories of Canada LTD ®

### Tremco Commercial Sealants & Waterproofing

3735 Green Road, Beachwood, OH 44122 // Phone: 216.292.5000 // 800.321.7906  
220 Wicksteed Avenue, Toronto, ON M4H 1G7 // Phone: 416.421.3300 // 800.363.3213  
1451 Jacobson Avenue, Ashland OH 44805 // Phone: 419.289.2050 // 800.321.6357