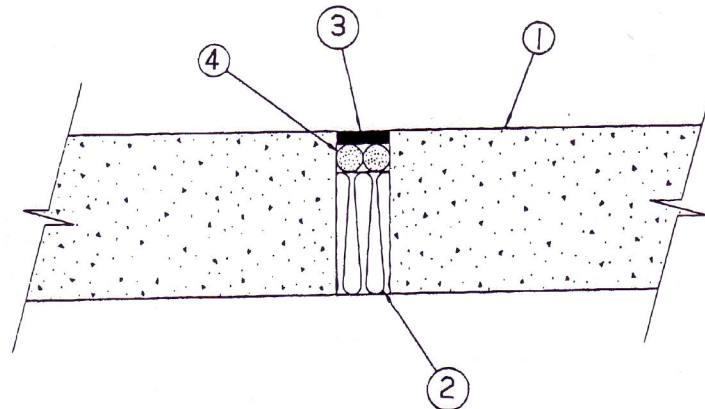


## System No. JF5

January 21, 2004  
(For Horizontal Separation)  
F and FT Ratings - 4 h  
FH and FTH Ratings - 3 h  
(ULC)



1. **Floor** - Minimum depth as necessary for required grade of fire separation but not less than 150 mm. Normal-density ( $2400 \pm 50 \text{ kg/m}^3$ ) concrete. Maximum width of opening, 50 mm.
2. **Batts and Blankets** -
  - A. **Firestop System Component** - XHJZC (Guide No. 40 U19.13). Type "RXL-Safe" compressed into opening in one width layer. Material to be compressed to 75% of its uncompressed thickness. Minimum depth 118 mm.  
**ROXUL INC.**
  - OR
  - B. Mineral wool insulation with a density of  $81 \text{ kg/m}^3$  compressed into opening in one width layer. Material to be compressed to 75% of its uncompressed thickness. Minimum depth 118 mm.
3. **Firestop System Components** - XHJZC (Guide No. 40 U19.13). Type "Fyre-Sil SL", single component sealant, applied in accordance with manufacturer's application instructions, over backer rods (Item 3) to a minimum depth of 11 mm and flush with top surfaces of floor. Sides of concrete opening may be primed with Tremco Epoxy LV before use.  
**TREMCO LTD.**
4. **Backer Rods** - "Tundra Foam", polyurethane foam rods, 38 mm diameter. A single rod may be used for openings 25 mm or less in width.



Reprinted from the Online Certifications Directory with permission from Underwriters Laboratories of Canada LTD.  
Copyright © 2008 Underwriters Laboratories of Canada LTD ®