

System No. FF-D-1062

February 24, 2005

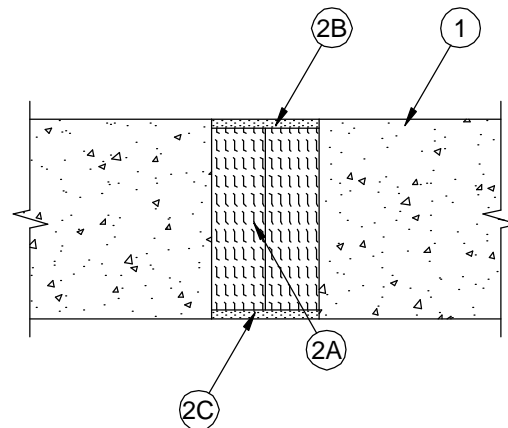
Assembly Rating - 2 Hr

L Rating at Ambient - Less than 1 CFM/Lin Ft

L Rating at 400° F - Less than 1 CFM/Lin Ft

Nominal Joint Width - 3-1/2 In.

Class II Movement Capabilities - 14 % Compression or Extension
(UL/cUL)



1. **Floor Assembly** — Min 4-1/2 in. (114 mm) thick reinforced lightweight or normal weight (100-150 pcf or 1600-2400 kg/m³) structural concrete.
2. **Joint System** — Max width of joint (at time of installation of joint system) is 3-1/2 in. (89 mm). The joint system is designed to accommodate a max 14 percent compression or extension from its installed width. The joint system shall consist of the following:
 - A. **Forming Material*** — Min 4 pcf (64 kg/m³) mineral wool batt insulation installed in joint opening as a permanent form. Pieces of batt cut to min width of 4 in. (102 mm) and installed edge-first into joint opening, parallel with joint direction, such that batt sections are compressed min 56 percent in thickness and that the compressed batt sections are recessed from top and bottom surfaces of the floor as required to accommodate the required thickness of fill material. Adjoining lengths of batt to be tightly-butted with butted seams spaced min 36 in. (914 mm) apart along the length of the joint.

FIBREX INSULATIONS INC — FBX Safing Insulation
ROCK WOOL MANUFACTURING CO — Delta Safing Board
 - B. **Fill, Void or Cavity Material*** — Min 1/4 in. (6 mm) thickness of fill material applied within the joint, flush with top surface of floor.

TREMCO INC — Vulkem 45SSL
 - C. **Fill, Void or Cavity Material*** — (Optional) - When Fyre-Sil, TREMstop Acrylic or Vulkem 45SSL is used, min 1/4 in. (6 mm) thickness of fill material applied within the joint, flush with bottom surface of floor. When TREMstop Acrylic SP is used, min 1/8 in. (3 mm) (wet) thickness of fill material spray or brush applied to completely cover bottom surface of mineral wool and lap min 1 in. (25 mm) onto each edge of concrete.

TREMCO INC — Fyre-Sil, TREMstop Acrylic, TREMstop Acrylic SP or Vulkem 45SSL

*Bearing the UL Classification Mark



Reprinted from the Online Certifications Directory with permission from Underwriters Laboratories Inc.
Copyright © 2008 Underwriters Laboratories Inc. ®