

## System No. FF-D-1058

October 31, 2003

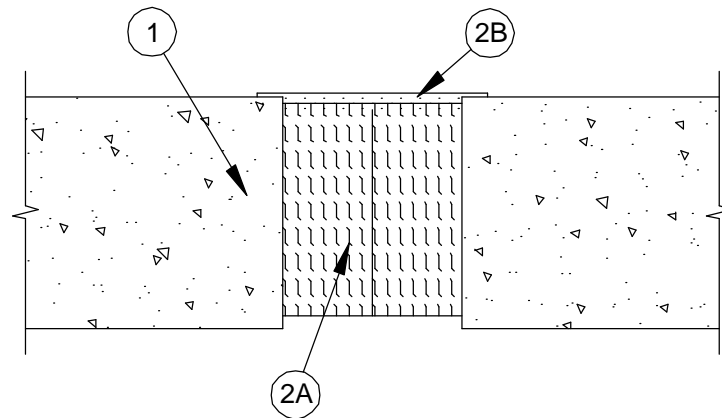
Assembly Rating – 2 Hr

L Rating at Ambient - Less than 1 CFM/Lin Ft

L Rating at 400° F - Less than 1 CFM/Lin Ft

Nominal Joint Width - 3-1/2 In

Class II Movement Capabilities - 14 % Compression or Extension  
(UL/cUL)



1. **Floor Assembly** – Min 4-1/2 in. (114 mm) thick reinforced lightweight or normal weight (100-150 pcf (1600-2400 kg/cu meter) structural concrete.
2. **Joint System – Max width of joint (at time of installation of joint system) is 3-1/2 in. (89 mm).** The joint system is designed to accommodate a max 14 percent compression or extension from its installed width. The joint system shall consist of the following:
  - A. **Forming Material\*** – Min 4 pcf (64 kg/cu meter) mineral wool batt insulation installed in joint opening as a permanent form. Two pieces of batt cut to min width of 4 in. (102 mm) and installed edge-first into joint opening, parallel with joint direction, such that batt sections are compressed min 56 percent in thickness and that the compressed batt sections are recessed from top surface of the floor as required to accommodate the required thickness of fill material. Adjoining lengths of batt to be tightly-butted with butted seams spaced min 24 in. (610 mm) apart along the length of the joint.

**FIBREX INSULATIONS INC** – FBX Safing Insulation  
**ROCK WOOL MANUFACTURING CO** – Delta Board
  - B. **Fill, Void or Cavity Material\* - Sealant** – Min 1/8 in. (3 mm) wet thickness of fill material sprayed or brush applied to completely cover mineral wool and lapping a min 1 in. (25 mm) onto concrete floor and wall.

**TREMCO INC** – TREMstop Acrylic SP

\*Bearing the UL Classification Mark



Reprinted from the Online Certifications Directory with permission from Underwriters Laboratories Inc.  
Copyright © 2008 Underwriters Laboratories Inc. ®