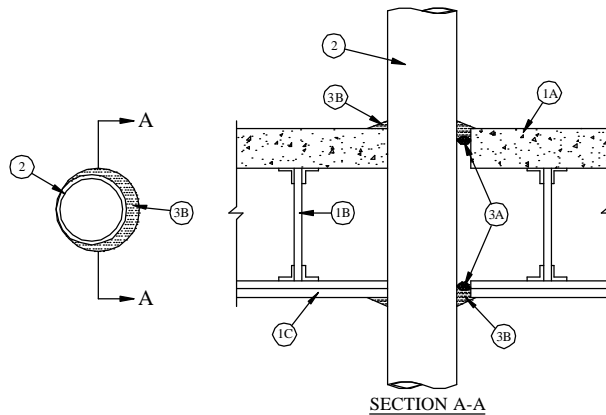


## System No. F-E-1011

August 2008  
F Rating — 1 Hr  
T Rating — 1/4 Hr  
(UL/cUL)



- Floor-Ceiling Assembly** — The 1 hr fire-rated concrete and steel joist Floor-Ceiling assembly shall be constructed of the materials and in the manner described in the individual G500 Series Design in the UL Fire Resistance Directory, as summarized below:
  - Concrete Floor** — Normal weight or lightweight (100-150 pcf (1601-2402 kg/m<sup>3</sup>) concrete over metal lath or steel deck as specified in the individual G500 Series Design. Max diam of floor opening is 9-7/8 in (251 mm).
  - Joists** — Steel joists or Structural Steel Members\* as specified in the individual G500 Series Design.
  - Gypsum Board\*** — Min 5/8 in. (16 mm) thick, screw-attached to furring channels as specified in the individual G500 Series Design. Max diam of ceiling opening is 9-7/8 in (251 mm).
- Through Penetrants** — One metallic pipe, conduit or tubing to be installed either concentrically or eccentrically within the firestop system. The space between pipes, conduits or tubing and periphery of opening shall be min 0 in. (point contact) to max 7/8 in (22 mm). Pipe, conduit or tubing to be rigidly supported on both sides of floor assembly. The following types and sizes of metallic pipes, conduits or tubing may be used:
  - Steel Pipe** — Nom 8 in. (203 mm) diam (or smaller) Schedule 40 (or heavier) steel pipe.
  - Iron Pipe** — Nom 8 in. (203 mm) diam (or smaller) cast or ductile iron pipe.
  - Conduit** — Nom 4 in. (102 mm) diam (or smaller) steel electrical metallic tubing or nom 6 in. (152 mm) diam (or smaller) steel conduit.
  - Copper Tubing** — Nom 4 in. (102 mm) diam (or smaller) Type L (or heavier) copper tubing.
  - Copper Pipe** — Nom 4 in. (102 mm) diam (or smaller) Regular (or heavier) copper pipe.
- Firestop System** — The firestop system shall consist of the following:
  - Packing Material** — (Optional) - Foam backer rod firmly packed into opening as a permanent form. Packing material to be recessed from top surface of floor and bottom surface of ceiling as required to accommodate the required thickness of fill material.
  - Fill, Void or Cavity Material\* - Caulk** — Min 1/2 in. (12 mm) thickness of fill material applied within the annulus, flush with top surface of the floor and bottom surface of the ceiling. Additional fill material to be installed such that a min 1/2 in. (12 mm) crown is formed around the penetrating item and lapping 1-1/4 in. (32 mm) beyond the periphery of the opening.

TREMCO INC — TREMstop Intumescent Acrylic, FyreCaulk, or TREMstop IA+

\*Bearing the UL Classification Mark



Reprinted from the Online Certifications Directory with permission from Underwriters Laboratories Inc.  
Copyright © 2008 Underwriters Laboratories Inc. ®