

## System No. F-C-7033

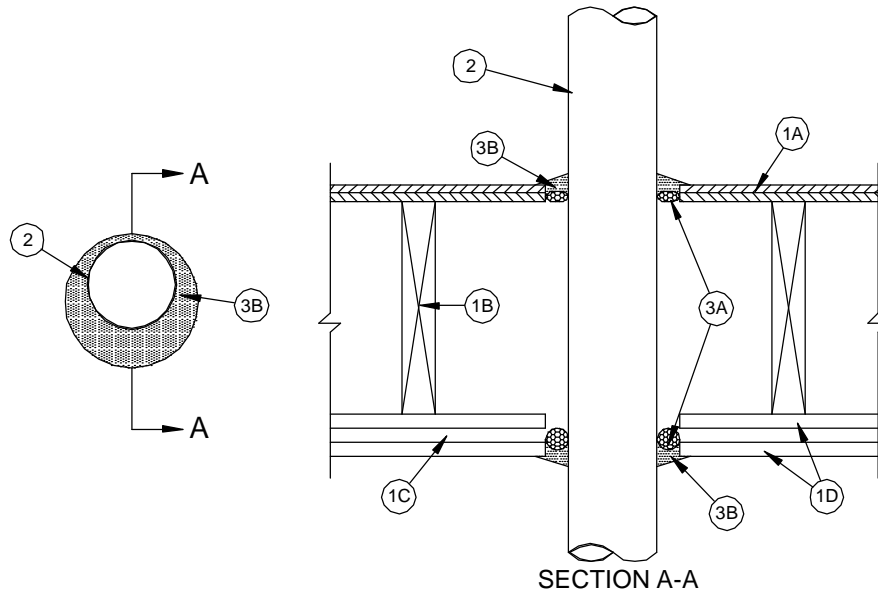
August 2008

F Rating — 2 Hr

T Rating — 1-1/2 Hr

L Rating at Ambient — Less Than 1 CFM/Sq Ft

(UL/cUL)



1. **Floor-Ceiling Assembly** — The 2 hr fire-rated wood joist floor-ceiling assembly shall be constructed of the materials and in the manner specified in Design Nos. L505, L511 or L536 in the UL Fire Resistance Directory. The general construction features of the floor-ceiling assembly are summarized below:
  - A. **Flooring System** — Lumber or plywood subfloor with finish floor of lumber, plywood or Floor Topping Mixture\* as specified in the individual Floor-Ceiling Design. Max diam of floor opening is 6 in. (152 mm).
  - B. **Wood Joists** — Nom 2 by 10 in. (51 by 254 mm) lumber joists spaced 16 in. (406 mm) OC with nom 1 by 3 in. (25 by 76 mm) lumber bridging and with ends firestopped.
  - C. **Furring Channels** — Resilient galv steel furring channels installed perpendicular to wood joists between first and second layers of gypsum board (Item 1D). Furring channels spaced max 24 in. (610 mm) OC.
  - D. **Gypsum Board\*** — Nom 4 ft (122 cm) wide by 5/8 in. (16 mm) thick as specified in the individual Floor-Ceiling Design. First layer of gypsum board secured to wood joists as specified in the individual Floor-Ceiling Design. Second layer of gypsum board screw-attached to furring channels as specified in the individual Floor-Ceiling Design. Max diam of ceiling opening is 6 in. (152 mm).
- 1.1. **Chase Wall** - (Not Shown, Optional) - The through penetrants (Item 2) may be routed through a 2 hr fire-rated single, double or staggered wood stud/gypsum board chase wall. The chase wall shall be constructed of the materials and in the manner specified in the individual U300 Series Wall and Partition Designs in the UL Fire Resistance Directory and shall include the following construction features:
  - A. **Studs** — Nom 2 by 8 in. (51 by 203 mm) lumber or double nom 2 by 4 in. (51 by 102 mm) lumber studs.
  - B. **Sole Plate** — Nom 2 by 8 in. (51 by 203 mm) or parallel 2 by 4 in. (51 by 102 mm) lumber plates, tightly butted. Max diam of opening is 6 in. (152 mm).
  - C. **Top Plate** — The double top plate shall consist of two nom 2 by 8 in. (51 by 203 mm) lumber plates or two sets of parallel nom 2 by 4 in. (51 by 102 mm) lumber plates, tightly butted. Max diam of opening is 6 in. (152 mm).
  - D. **Gypsum Board\*** — Thickness, type, number of layers and fasteners shall be as specified in individual Wall and Partition Design.

2. **Steel Duct** — Nom 4 in. (102 mm) diam (or smaller) No. 30 gauge (or heavier) galv steel duct. One duct to be centered within the firestop system with a nom annular space of 1 in. (25 mm). Duct to be rigidly supported on both sides of floor assembly.
3. **Forming Material** — (Optional) - Foam backer rod firmly packed into opening as a permanent form. Forming material to be recessed from top surface of floor or sole plate and bottom surface of ceiling or lower top plate of chase wall assembly as required to accommodate the required thickness of fill material.
4. **Fill, Void or Cavity Material\* - Caulk** — Min 5/8 in. (16 mm) thickness of fill material applied within the annulus, flush with top surface of the floor or sole plate and bottom surface of the ceiling or lower top plate of chase wall assembly. Additional fill material to be installed such that a min 1/2 in. (13 mm) crown is formed around the penetrating item and lapping 1/2 in. (13 mm) beyond the periphery of the opening.

TREMCO INC — TREMstop Intumescent Acrylic, FyreCaulk, or TREMstop IA+

\*Bearing the UL Classification Mark



Reprinted from the Online Certifications Directory with permission from Underwriters Laboratories Inc.  
Copyright © 2008 Underwriters Laboratories Inc. ®

## Tremco Commercial Sealants & Waterproofing

3735 Green Road, Beachwood, OH 44122 // Phone: 216.292.5000 // 800.321.7906  
220 Wicksteed Avenue, Toronto, ON M4H 1G7 // Phone: 416.421.3300 // 800.363.3213  
1451 Jacobson Avenue, Ashland OH 44805 // Phone: 419.289.2050 // 800.321.6357