

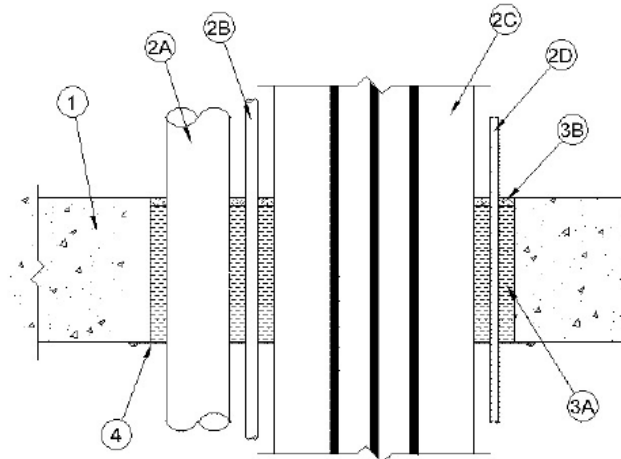
System No. F-B-8002

November 28, 2007

F Rating — 2 Hr

T Rating — 0 Hr

(UL/cUL)



- Floor Assembly** — Min 9 in. (229 mm) thick lightweight or normal weight reinforced structural concrete. Max area of opening shall not exceed 1638 sq. in. (1.06 m²), with a max dimension of 78 in (198 cm).
- Through Penetrants** — A max of sixteen items are permitted per opening, of those, a max of three busways and a max of one cable may be used. Pipes, conduits, busways or cables to be installed within the opening such that a min 1 in. (25 mm) annular space is maintained between all through penetrants. The space between penetrants and periphery of opening shall be nom 1 in. (25 mm). Penetrants to be rigidly supported on both sides of floor assembly. The following types and sizes of penetrants may be used:
 - Steel Pipe** — Nom 4 in. (102 mm) diam (or smaller) Schedule 40 (or heavier) steel pipe.
 - Conduit** — Nom 3/4 in. (19 mm) diam (or smaller) steel electrical metallic tubing or steel conduit.
 - Busway+** — Nom 12-1/2 in. (318 mm) wide (or smaller) by 6 in. (152 mm) deep "I" shaped aluminum enclosure containing factory mounted aluminum bars rated for 600 V, 3000 A.
 - Cable** — Max 1/C No. 350 MCM cable with XLPE insulation and jacket .
- Firestop System** — The firestop system shall consist of the following items.
 - Packing Material** — Min 8-1/2 in. (216 mm) thickness of nom 8 pcf (128 kg/m³) (or heavier) mineral-wool batt insulation firmly packed into opening as a permanent form. Packing material to be recessed from top surface of floor as required to accommodate the required thickness of fill material (Item 3B).
 - Fill, Void or Cavity Materials* - Sealant** — Min 1/2 in. (13 mm) thickness of fill material applied to completely fill annular space, flush with top surface of floor.

TREMCO INC — FYRE-SIL S.L.

*Bearing the UL Classification Mark

+ Bearing the UL Listing Mark



Reprinted from the Online Certifications Directory with permission from Underwriters Laboratories Inc.
Copyright © 2008 Underwriters Laboratories Inc. ®