

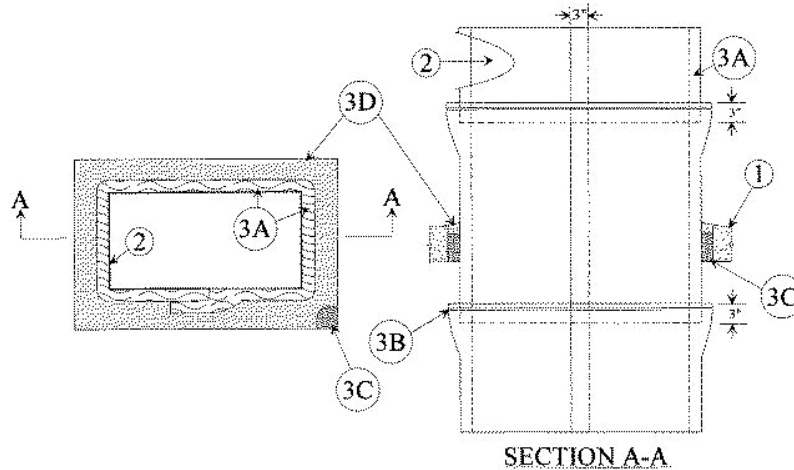
System No. C-AJ-7012

December 01, 2003

F Rating — 1 Hr

T Rating — 1 Hr

(UL/cUL)



1. **Floor or Wall Assembly** — Min 4-1/2 in. thick reinforced normal weight (140-150 pcf) concrete floor or min 4-3/4 in. thick reinforced normal weight concrete wall. Wall may also be constructed of any UL Classified **Concrete Blocks***. Max area of opening is 3069 sq in. with max dimension of 93 in.

See **Concrete Blocks** (CAZT) category in the Fire Resistance Directory for names of manufacturers.

2. **Through-Penetrant** — One steel duct to be installed within the firestop system. Duct to be rigidly supported on both sides of floor or wall assembly. The following types of through-penetrants may be used:
 - A. **Steel Air Duct** — Min 26 gauge (0.021 in.) thick carbon steel duct having a max perimeter dimension of 216 in. and a max individual dimension of 84 in. Ducts with any dimension greater than 39 in., shall be provided with intermediate reinforcement in accordance with SMACNA HVAC Duct Construction Standards. Reinforcement to consist of min 1-1/2 in. by 1-1/2 in. by 1/8 in. thick transverse stiffening angles, approximately 2 in. less in length than the max dimension, screw attached 8 in. OC to the duct 3 in. beyond the top surface of the floor and both surfaces of the wall.
3. **Firestop System** — The firestop system shall consist of the following:
 - A. **Duct Wrap Materials*** — Nom 1-1/2 in thick, 6 pcf, ceramic blanket totally encapsulated within foil-scrim facers. The steel duct shall be wrapped with one layer of duct wrap installed in accordance with the manufacturer's installation instructions, maintaining min. 3 in. transverse and longitudinal overlaps. All cut edges and ends shall be sealed with 3 in. wide pressure sensitive aluminum foil tape. A nom annular space of 3 in. is required between the insulated duct and the periphery of the opening.

THERMAL CERAMICS INC — FireMaster Duct Wrap or FireMaster Duct Wrap+
 - B. **Steel Banding Straps*** — Min 1/2 in. wide by 0.015 in. thick carbon steel banding straps used in conjunction with min 1 in. long stainless steel crimp clips. Banding straps spaced a max 12 in. OC and 1-1/2 in. from transverse joints of duct wrap.
 - C. **Packing Material** — Min 4 in. thickness of unfaced scrap duct wrap material or min 3 pcf mineral wool batt insulation firmly packed into opening as a permanent form. Packing material to be recessed from the top surface of the floor or both surfaces of wall as required to accommodate the required thickness of fill material.
 - D. **Fill, Void or Cavity Material* — Sealant** — Min 1/2 in. thickness of fill material applied within the annulus, flush with top surface of floor or with both surfaces of wall.

TREMCO INC — Fyre-Sil Sealant or Fyre-Sil S/L Sealant (for floor assemblies only)

*Bearing the UL Classification Mark

+Bearing the UL Recognized Component Mark



Reprinted from the Online Certifications Directory with permission from Underwriters Laboratories Inc.
Copyright © 2008 Underwriters Laboratories Inc. ®

Tremco Commercial Sealants & Waterproofing

3735 Green Road, Beachwood, OH 44122 // Phone: 216.292.5000 // 800.321.7906

220 Wicksteed Avenue, Toronto, ON M4H 1G7 // Phone: 416.421.3300 // 800.363.3213

1451 Jacobson Avenue, Ashland OH 44805 // Phone: 419.289.2050 // 800.321.6357