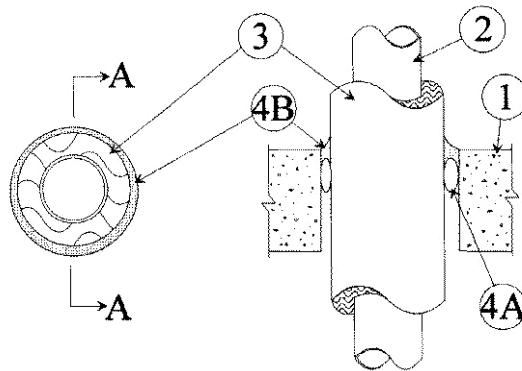


System No. C-AJ-5111

August 2008
F Rating — 2 Hr
T Rating — 1 Hr
(UL/cUL)



SECTION A-A

1. **Floor or Wall Assembly** — Min 4-1/2 in. thick reinforced normal weight (140-150 pcf) concrete. Wall may also be constructed of any UL Classified **Concrete Blocks***. Floor may also be constructed of any min 6 in. thick UL Classified hollow-core **Precast Concrete Units***. Max diam of opening is 4 in.

See **Concrete Blocks** (CAZT) and **Precast Concrete Units** (CFTV) categories in the Fire Resistance Directory for names of manufacturers.

2. **Through Penetrants** — One metallic pipe or tubing to be installed either concentrically or eccentrically within the firestop system. Pipe or tubing to be rigidly supported on both sides of floor or wall assembly. The following types and sizes of metallic pipes or tubing may be used:
 - A. **Steel Pipe** — Nom 2 in. diam (or smaller) Schedule 10 (or heavier) steel pipe.
 - B. **Iron Pipe** — Nom 2 in. diam (or smaller) cast or ductile iron pipe.
 - C. **Copper Tubing** — Nom 2 in. diam (or smaller) Type K copper tubing.
 - D. **Copper Pipe** — Nom 2 in. diam (or smaller) Regular (or heavier) copper pipe.

3. **Tube Insulation — Plastics+** — Nom 3/4 in. thick acrylonitrile butadiene/polyvinyl chloride (AB/PVC) flexible foam furnished in the form of tubing. The annular space shall be min 1/8 in. to max 1/4 in.

See **Plastics+** (QMFZ2) category in the Recognized Component Directory for names of manufacturers. Any Recognized Component tube insulation material meeting the above specifications and having a UL 94 Flammability Classification of 94-5VA may be used.

4. **Firestop System** — The firestop system shall consist of the following:
 - A. **Packing Material** — Foam backer rod firmly packed into opening as a permanent form. Packing material to be recessed from top surface of floor or from both surfaces of wall and hollow-core precast concrete unit as required to accommodate the required thickness of fill material.
 - B. **Fill, Void or Cavity Material* — Caulk** — Min 1 in. thickness of fill material applied within the annulus, flush with top surface of floor or with both surfaces of wall and hollow-core precast concrete unit. Additional fill material to be installed such that a min 1/4 in. crown is formed around the penetrating item.

TREMCO INC — TREMstop Intumescent Acrylic, FyreCaulk, or TREMstop IA+

+Bearing the UL Recognized Component Mark

*Bearing the UL Classification Marking



Reprinted from the Online Certifications Directory with permission from Underwriters Laboratories Inc.
Copyright © 2008 Underwriters Laboratories Inc. ®