

System No. C-AJ-1518

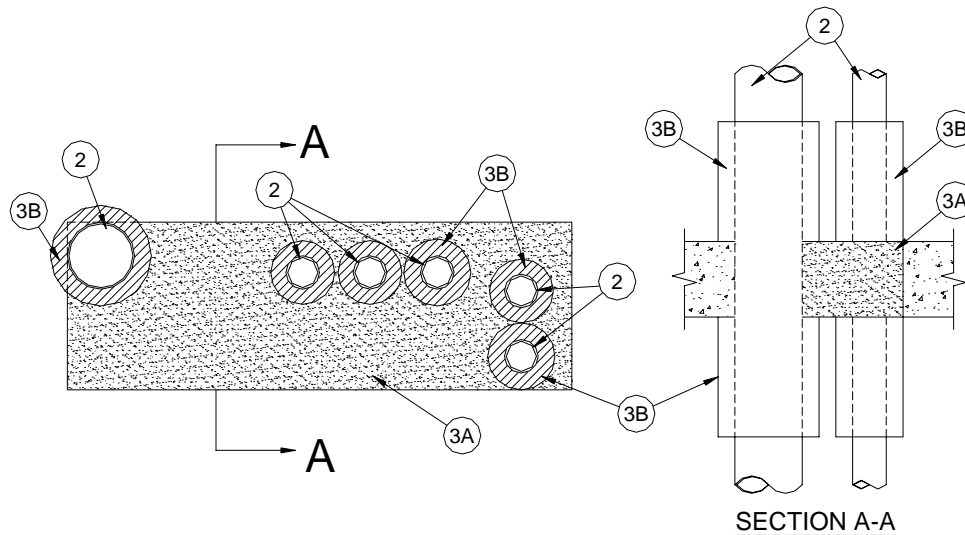
June 1, 2004

F Rating —3 Hr

T Rating —2 Hr

L Rating at Ambient - Less Than 1 CFM/sq ft

L Rating at 400F - Less Than 1 CFM/sq ft
(UL/cUL)



- Floor or Wall Assembly** — Min 4-1/2 in. (114 mm) thick reinforced lightweight or normal weight (100-150 pcf (1600-2400 kg/cu meter)) structural concrete. Wall may also be constructed of any UL Classified Concrete Blocks*. Max area of opening is 300 sq in. (1935 sq cm) with max dimension of 30 in. (762 mm).
See **Concrete Block (CAZT)** category in the Fire Resistance Directory for names of manufacturers.
- Through Penetrants** - A max of six pipes or tubing to be installed within the opening. Of the six penetrants, only one penetrant shall have a nom diam greater than 2 in. (51 mm). The min space between pipes or tubing shall be 3 in. (76 mm). The max space between pipes or tubing shall be 8-7/8 in. (225 mm). The min space between pipes or tubing and periphery of opening shall be 0 in. (point contact). The max space between pipes, conduits or tubing and periphery of opening shall be 5-5/8 in. (143 mm). Pipe, conduit or tubing to be rigidly supported on both sides of floor or wall assembly. The following types and sizes of pipes, conduits or tubing may be used:
 - Steel Pipe** Nom 8 in. (203 mm) diam (or smaller) Schedule 10 (or heavier) steel pipe.
 - Iron Pipe** Nom 8 in. (203 mm) diam (or smaller) cast or ductile iron pipe.
 - Copper Tubing** Nom 4 in. (102 mm) diam (or smaller) Type L (or heavier) copper tubing.
 - Copper Pipe** Nom 4 in. (102 mm) diam (or smaller) Regular (or heavier) copper pipe.
- Firestop System** The firestop system shall consist of the following:
 - Fill, Void or Cavity Material*** — **Mortar** — Min 4-1/2 in. (114 mm) thickness of fill material applied within the annulus, flush with top and bottom surface of floor or with both surfaces of wall.
TREMCO INC — TREMstop Fire Mortar
 - Pipe Covering Materials*** — - Nom 1 in. (25 mm) thick unfaced mineral fiber pipe insulation shall be installed on each through penetrant (Item 2). The insulation is sized to the outside diam of each pipe or tube. Insulation is tightly wrapped around penetrant to extend min 12 in. (305 mm) below floor and min 36 in. (914 mm) above floor or min 36 in. (914 mm) beyond both surfaces of wall.

IIG MINWOOL L L C – High Temperature Pipe Insulation 1200, High Temperature Pipe Insulation BWT and High Temperature Pipe Insulation Thermaloc

- C. **Sheathing Material*** – Used in conjunction with Item 3B. All service jacket material shall be wrapped around the outer circumference of the pipe insulation (Item 3B) with the craft side exposed. Longitudinal and transverse joints sealed with butt tape.

See **Sheathing Materials** - (BVDV) category in the Building Materials Directory for names of manufacturers. Any sheathing material meeting the above specifications and bearing the UL Classification Marking with a Flame Spread Index of 25 or less and a Smoke Developed Index of 50 or less may be used.

- D. **Forms - (Not Shown)** – Used as a form to prevent leakage of fill material during installation. Forms to be rigid sheet material fastened to the underside of the floor or both sides of wall. Forms to be removed after fill material has cured.

*Bearing the UL Classification Mark



Reprinted from the Online Certifications Directory with permission from Underwriters Laboratories Inc.
Copyright © 2008 Underwriters Laboratories Inc. ®