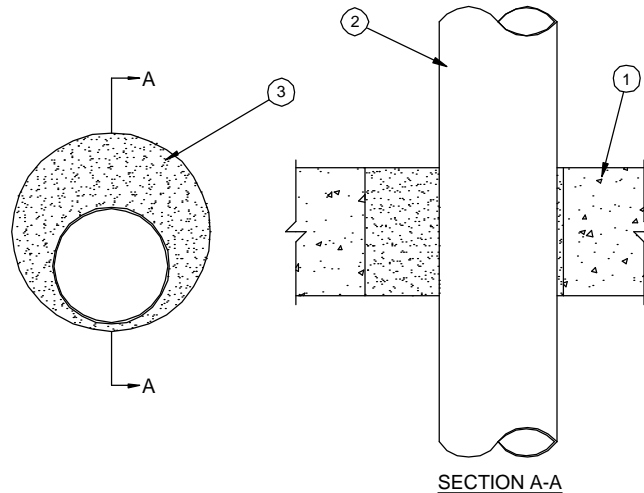


System No. C-AJ-1456

November 25, 2003

F Rating — 3 Hr

T Rating — 1/4 Hr
(UL/cUL)



- Floor or Wall Assembly** — Min 4-1/2 in. thick reinforced lightweight or normal weight concrete (100-150 pcf). Wall may also be constructed of any **Concrete Blocks***. Floor may also be constructed of any min 6 in. thick UL Classified hollow-core Precast Concrete Units*. If the firestop system is installed within a hollow-core precast concrete unit, max diam of opening shall be 7 in. Otherwise, max diam of opening is 11-1/2 in.

See **Concrete Blocks** (CAZT) and **Precast Concrete Units** (CFTV) categories in the Fire Resistance Directory for names of manufacturers.
- Through Penetrants** — One metallic pipe, conduit or tubing to be installed either concentrically or eccentrically within the firestop system. The annular space between the pipe, conduit or tubing and the periphery of the opening shall be min. 1/4 in. to a max of 2-5/8 in. Pipe, conduit or tubing to be rigidly supported on both sides of floor or wall assembly. The following types and sizes of metallic pipe, conduit or tubing may be used:
 - Steel Pipe** — Nom 8 in. diam (or smaller) Schedule 10 (or heavier) steel pipe.
 - Iron Pipe** — Nom 8 in. diam (or smaller) cast or ductile iron pipe.
 - Conduit** — Nom 4 in. diam (or smaller) steel electrical metallic tubing (EMT) or 6 in. diam (or smaller) rigid steel conduit.
 - Copper Tubing** — Nom 4 in diam (or smaller) Type L (or heavier) copper tubing.
 - Copper Pipe** — Nom 4 in. diam (or smaller) Regular (or heavier) copper pipe.
- Fill, Void or Cavity Material* - Mortar** — Min 4-1/2 in. thickness of fill material applied within the annulus, flush with both surfaces of floor or wall. Mortar is to be mixed with water in accordance with the mixing instructions on the bag.

TREMCO INC — TREMstop Fire Mortar

*Bearing the UL Classification Mark



Reprinted from the Online Certifications Directory with permission from Underwriters Laboratories Inc.
Copyright © 2008 Underwriters Laboratories Inc. ®