

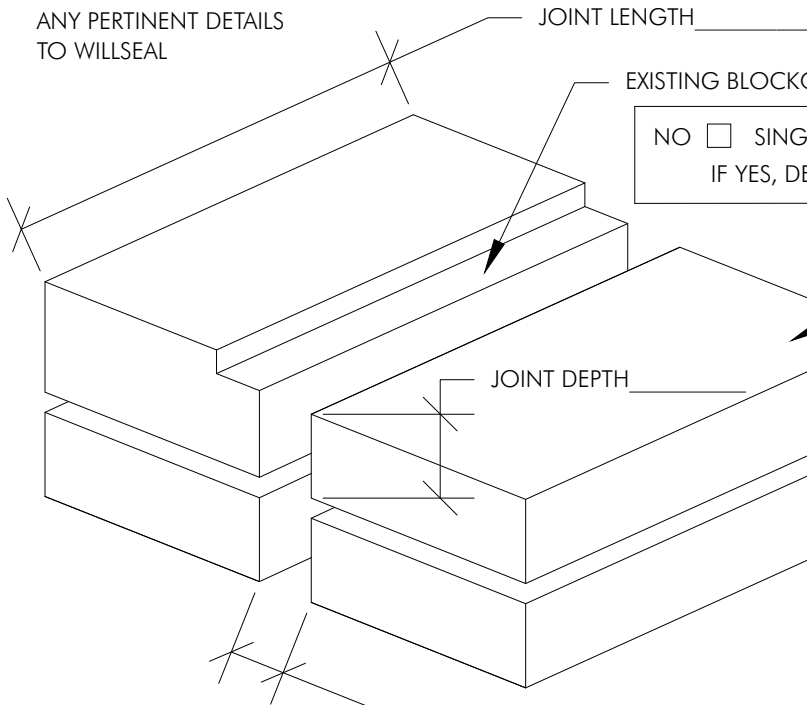


## CHECKLIST FOR HORIZONTAL JOINTS

PLEASE EMAIL CHECKLIST TO [CUSTSERV@WILLSEAL.COM](mailto:CUSTSERV@WILLSEAL.COM)

LOCATION OF JOINT			CONSTRUCITON	FIRE RATING	JOINT PURPOSE
<input type="checkbox"/> INTERIOR	<input type="checkbox"/> WALL	<input type="checkbox"/> ABOVE GRADE	<input type="checkbox"/> NEW	<input type="checkbox"/> NO FIRE RATING	<input type="checkbox"/> PRIMARY SEAL
<input type="checkbox"/> EXTERIOR	<input type="checkbox"/> DECK	<input type="checkbox"/> SUBMERGED	<input type="checkbox"/> RETROFIT	<input type="checkbox"/> 1 HOUR	<input type="checkbox"/> SECONDARY SEAL
		<input type="checkbox"/> BELOW GRADE	<input type="checkbox"/> TOTAL REPLACEMENT	<input type="checkbox"/> 2 HOUR	& TO SEAL OUT
				<input type="checkbox"/> 3 HOUR	<input type="checkbox"/> WEATHER (RAIN/WATER)

NOTE: PLEASE PROVIDE ANY PERTINENT DETAILS TO WILLSEAL



EXISTING BLOCKOUT(S)?  
 NO  SINGLE SIDED  BOTH SIDES  
 IF YES, DEPTH \_\_\_\_\_ & WIDTH \_\_\_\_\_

- INSULATE (COLD/HEAT)
- SOUND
- AIR
- INSECTS/RODENTS
- OTHER \_\_\_\_\_

### SUBSTRATE COMPOSITION

BRICK  
 CONCRETE  
 METAL  
 OTHER \_\_\_\_\_

SPLIT SLAB CONDITION?  YES  NO  
 IF YES, SPLIT DEPTH \_\_\_\_\_

HAVE THE JOINT DIMENSIONS BEEN PHYSICALLY MEASURED ?  YES  NO  
 SUBSTRATE SURFACE TEMP: \_\_\_\_\_  
 AMBIENT TEMP: \_\_\_\_\_

NOTE: FOR BEST RESULTS, PLEASE MEASURE JOINT LENGTH EVERY 6 FEET

JOINT WIDTH(S) \_\_\_\_\_  
 VARIES FROM: \_\_\_\_\_ TO \_\_\_\_\_

NOTE: IF JOINT WIDTH IS GREATER THAN 3" DETAILS MUST BE PROVIDED

MOVEMENT OF JOINT (E.G. +/- 2"): \_\_\_\_\_  
 DOES JOINT HAVE TRANSITIONS ?  YES  NO  
 IF YES: \_\_\_\_\_  
 (PLEASE PROVIDE DETAILS)

HOW DOES JOINT TERMINATE ? : \_\_\_\_\_  
 ARE TURN-UPS NEEDED ?  YES  NO  
 IF YES WHAT LENGTH: \_\_\_\_\_

### GENERAL INFORMATION

NAME _____	JOB NAME _____
COMPANY _____	JOB LOCATION _____
PHONE _____	DATE _____
FAX _____	EMAIL _____

### PROJECT FIRMS

ARCHITECT _____	ENGINEER _____
CONTRACTOR _____	OWNER/BUILDER _____