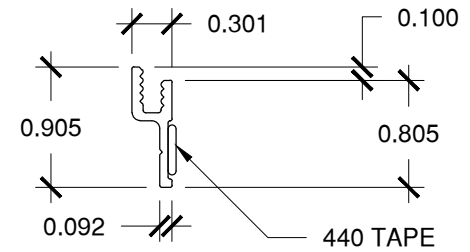
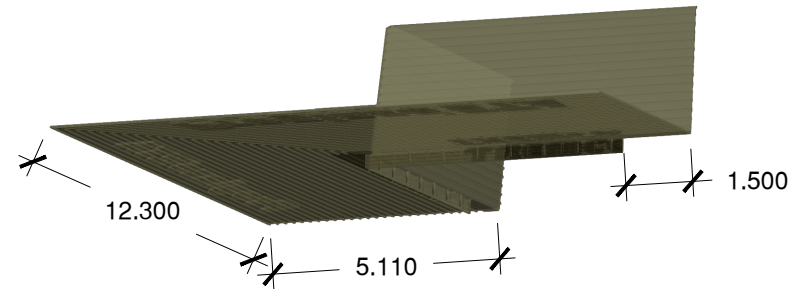
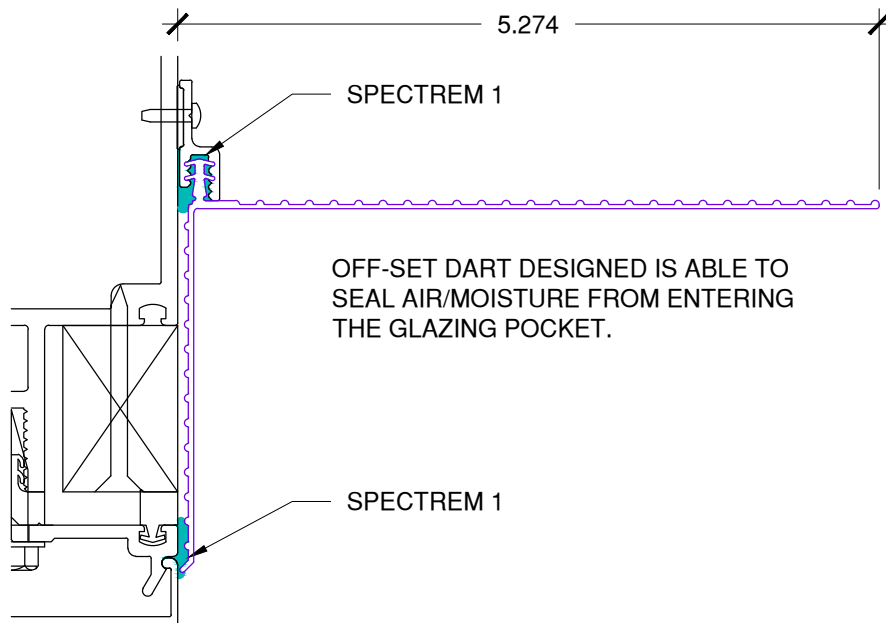


TR-16016S 40 DUROMETER DENSE TRANSLUCENT SILICONE



EXTRUDED ALUMINUM ADAPTER TR-15265
 CUT 60" LONG WITH $\frac{3}{16}$ " DIA. HOLE 6" O.C.
 TREMCO 440 BUTYL TAPE $\frac{1}{16}$ " X $\frac{3}{8}$ " PRE-APPLIED



TR-16027S MOLDED CORNER

The architecture, engineering, and design of the project using the Tremco products are the responsibility of the project's design professional. All products and systems must comply with local building codes and standards. This detail is for general information and guidance only and Tremco specifically disclaims any liability for the use of this detail. The project design professional determines, in its sole discretion, whether this detail or a functionally equivalent detail is best suited for the project. This detail is subject to change without notice. Contact Tremco to ensure you have the most recent version.

Proglaze ETA



Tremco Technical Support: 866-209-2404

Detail: Proglaze ETA System 2 - Profiles and Molded Corner

Drawn by: HDE

Checked by: AM

Scale: NTS

Date: 4/1/2022

File Name:

ETA-S2-PC-01



Construction Products Group

www.tremcocpg.com