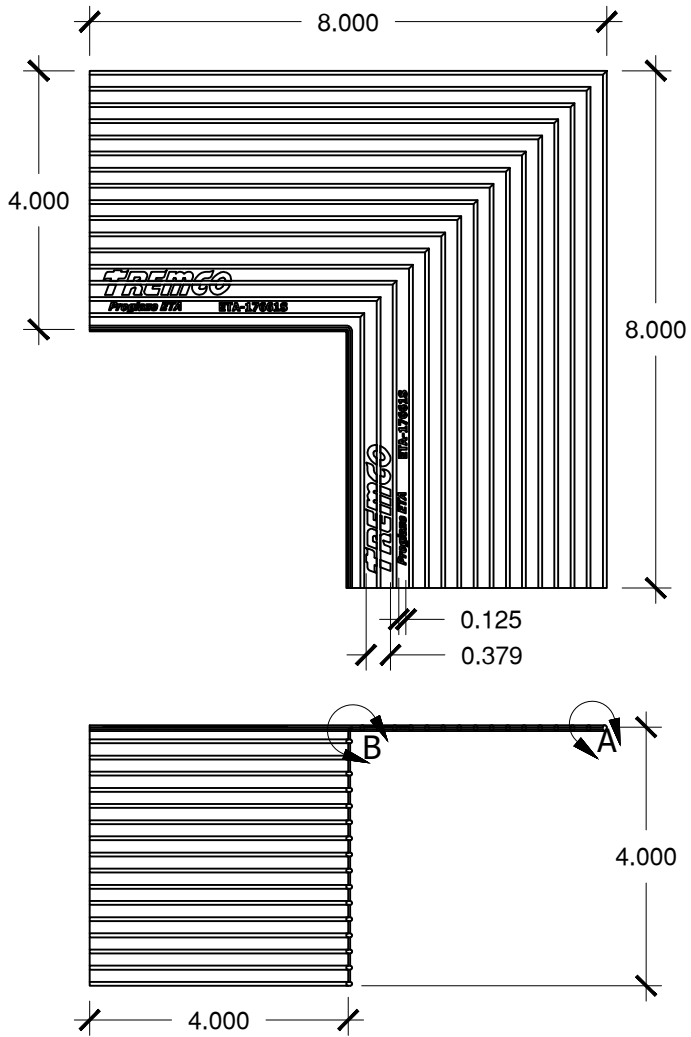
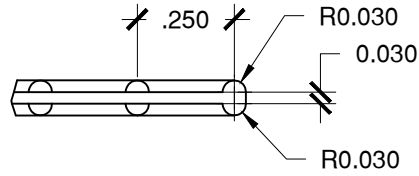


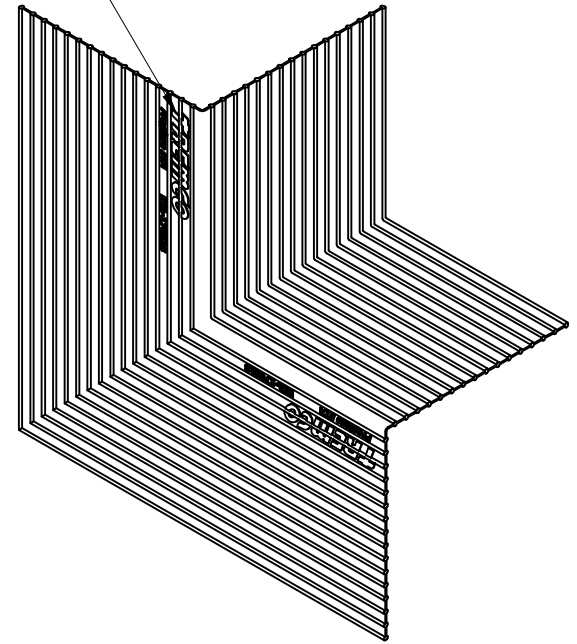
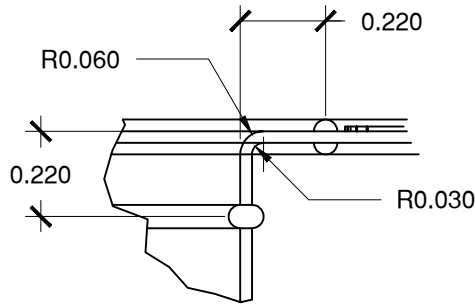
LOGO AND PART NO TEXT = 0.012" THICK



DETAIL A



DETAIL B



ETA-17661S

*The architecture, engineering, and design of the project using the Tremco products are the responsibility of the project's design professional. All products and systems must comply with local building codes and standards. This detail is for general information and guidance only and Tremco specifically disclaims any liability for the use of this detail. The project design professional determines, in its sole discretion, whether this detail or a functionally equivalent detail is best suited for the project. This detail is subject to change without notice. Contact Tremco to ensure you have the most recent version.*

**Proglaze ETA**



Tremco Technical Support: 866-209-2404

Detail: Proglaze ETA Outside Corner Connection

Drawn by: HDE

Checked by: AM

Scale: NTS

Date: 4/13/2022

File Name:

ETA-C-02



Construction Products Group

[www.tremcocpg.com](http://www.tremcocpg.com)